

RATIONALE

DELETE INSIDE RADII (N) AT TRANSITION OF BASE FLANGE TO WRENCHING ELEMENT, ADD NEW EXISTING INVENTORY USE NOTE, GENERAL EDITORIAL UPDATE.

AS6146A HAS BEEN REAFFIRMED TO COMPLY WITH THE SAE FIVE-YEAR REVIEW POLICY.

REV. A

AS6146™

SAE Executive Standards Committee Rules provide that: "This report is published by SAE to advance the state of technical and engineering sciences. The use of this report is entirely voluntary, and its applicability and suitability for any particular use, including any patent infringement arising therefrom, is the sole responsibility of the user." SAE reviews each technical report at least every five years at which time it may be revised, reaffirmed, stabilized, or cancelled. SAE invites your written comments and suggestions.

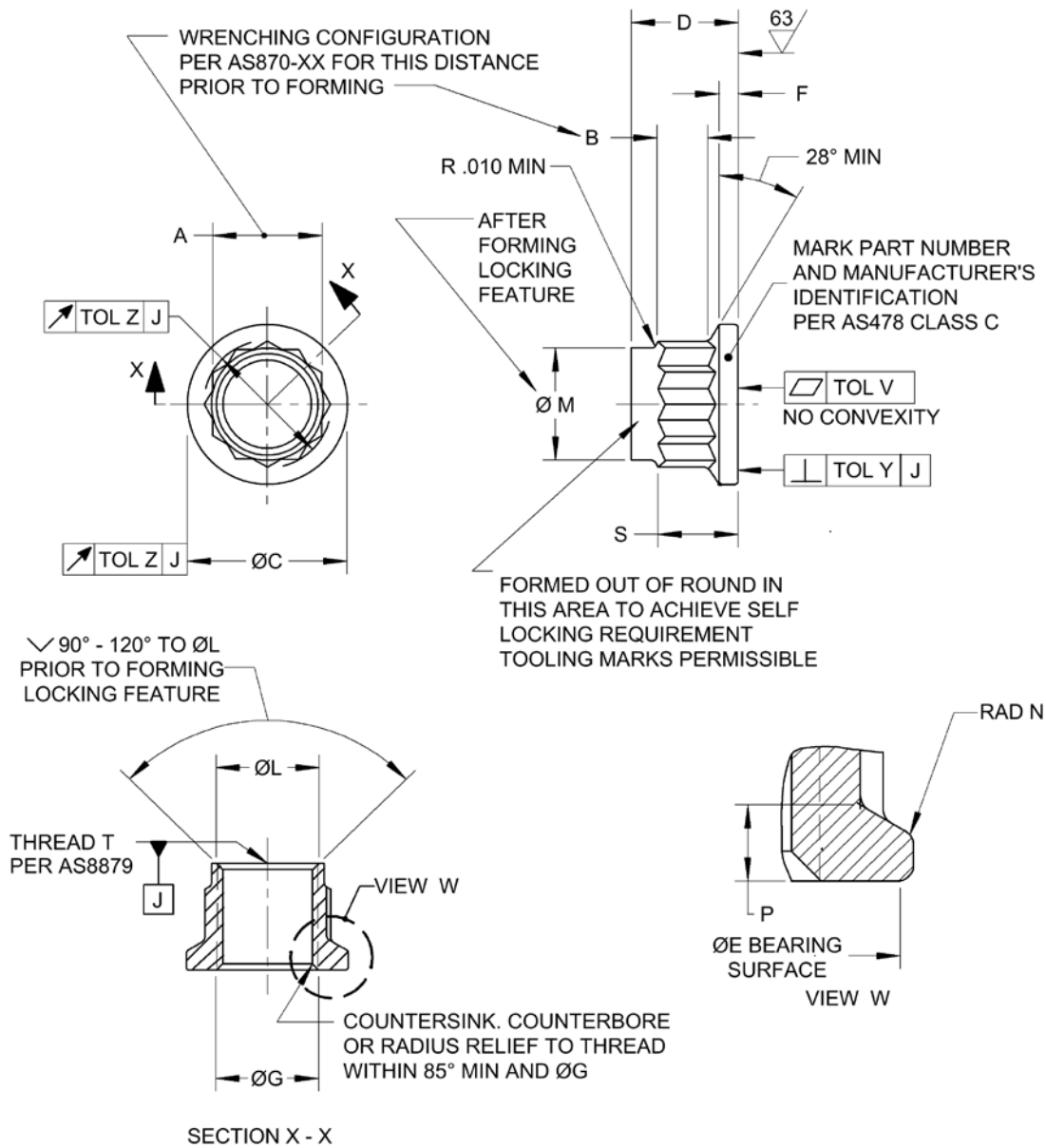
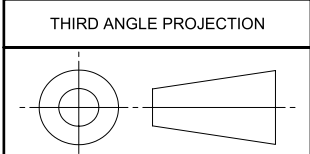


FIGURE 1 - NUT

For more information on this standard, visit
<https://www.sae.org/standards/content/AS6146A/>



CUSTODIAN: E-25

PROCUREMENT SPECIFICATION: AS7251



AEROSPACE STANDARD

NUT, SELF-LOCKING,
DOUBLE HEXAGON,
REDUCED ENVELOPE, UNS S66286

AS6146™
SHEET 1 OF 3

REV. A